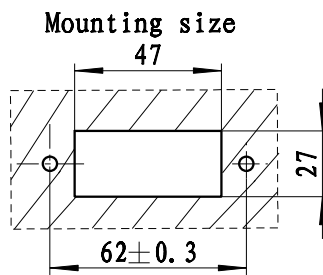
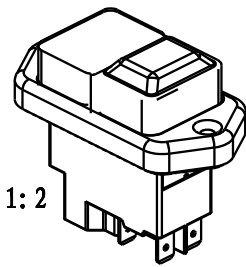
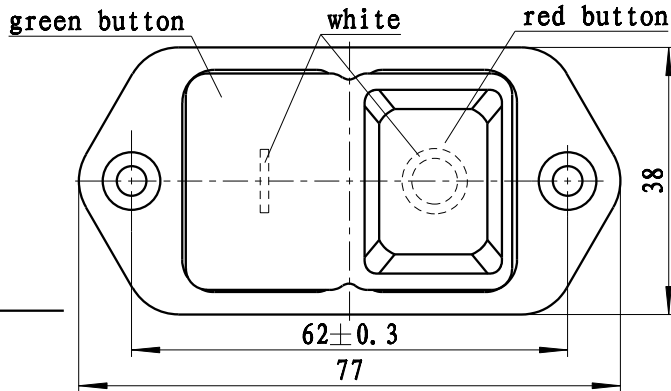
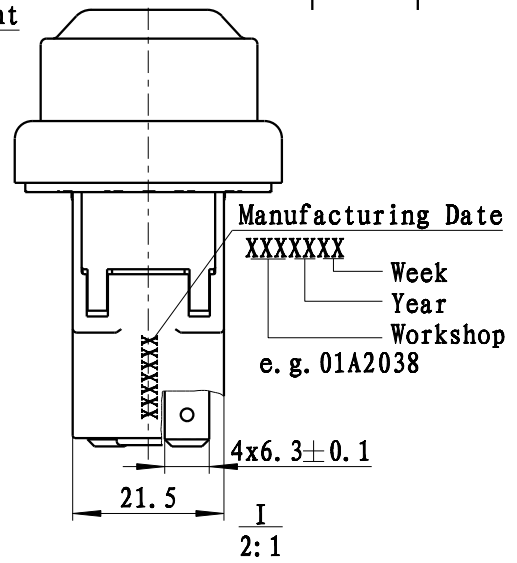
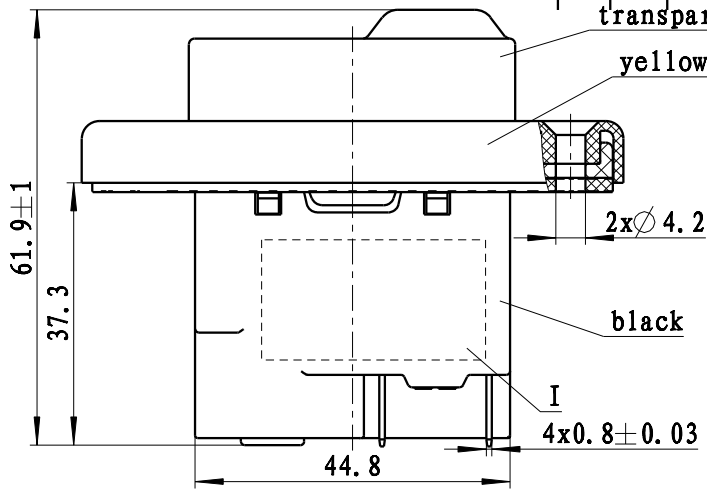


080010/L110

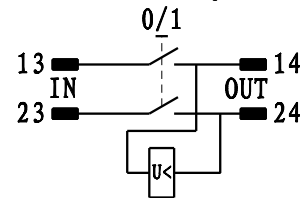
Rejigger Index

| REV. | Mark | Qty | Verified | Content | Description | Verified /Date | Rejigger /Date |
|------|------|-----|----------|---------|-------------|----------------|----------------|
| | | | | | | | |



KJD17B IP55
 T85/55
 18A (AC-1) / 15A (AC-3)
 Uc=250V ~ 5E4
 Uc=220-240V ~
 Pat 97324050.4
 Pat 96211305.0
 16 (12) A 250V ~ 5E4
 DIN EN61058
 10 (8) A 250V ~ 5E4
 2HP 220-240V ~
 CULUS 16A 220-240V ~

Circuit diagram



Certification and Rating

Technical Requirement

1. Type: KJD17B;
2. Uc=220-240V ~;
3. IP Code: IP55 (after installation);
4. Number of Operating Cycles: 5E4;
5. Certification and Rating: see table;
6. Directive/Regulation: RoHS.

| | | | | |
|---------------------|----------------------------|--------------------------------------|-----------------------|---------------------------|
| Common use register | EN 61058-1 | EN 60947-1 EN 60947-4-1 | UL508 | DIN EN 61058-1 |
| Drawing | 16 (12) A 250V ~ 5E4 | AC-1: 18A AC-3: 15A 250V ~ 5E4 | 16A 2HP 220-240V ~ | 10 (8) A 250V ~ 5E4 |

Tolerance Not Marked

| | | | | |
|-----------------|--------|---------|-----------|------------|
| Basic Dimension | >0 ~ 6 | >6 ~ 30 | >30 ~ 120 | >120 ~ 300 |
| Tolerance | ± 0.1 | ± 0.3 | ± 0.5 | ± 1 |

ASSEMBLE OUTLINE

KEDU ELECTRIC

011701078

Electromagnetic switch

| | | | | | | |
|-----------|-------------|-----|----------|-----------------|-----|----------|
| Signature | Designed by | 贾杨彬 | 20201215 | Standardization | 王思琦 | 20201215 |
| | Collated by | 廖军 | 20201215 | Examined by | 陈东 | 20201215 |
| Date | Checked by | 倪杰 | 20201215 | Drawn by | 贾杨彬 | 20201215 |
| | Technics | | | Approved by | 李子平 | 20201215 |

| | | |
|--------------|------------|-------|
| Phase Mark | REV. | Scale |
| S | A | 1:1 |
| Current Page | Total Page | |

0117010080